

vaseI[®]
Electromechanic



Sliding Door Systems

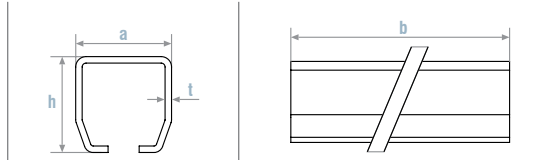
Cat.7c/20

VS1030 Series

C-Rail
VS1030R2/VS1030R4



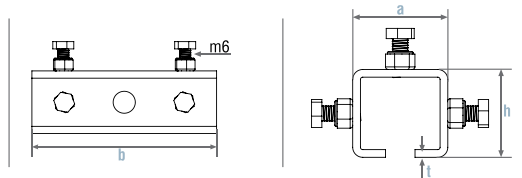
Product Code	Material	Weight (kg/m)	Supply Lengths (b)	Dimensions (mm)		
				a	h	t
VS1030R2	Steel (galvanised)	1,08	4 m	30	28	1.5
VS1030R4	Steel (galvanised)	1,44	4 m	30	28	2



Splice Joint
VS1030E2



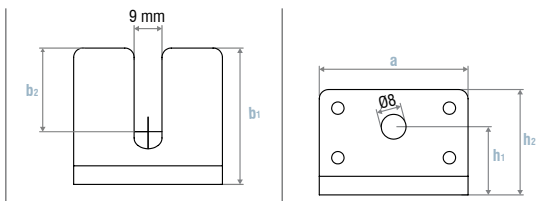
Product Code	Material	Weight (kg)	Dimensions (mm)			
			a	h	b	t
VS1030E2	Steel (galvanised)	0,28	37	35	100	3



Wall Mounting Plate
VS1009S2S



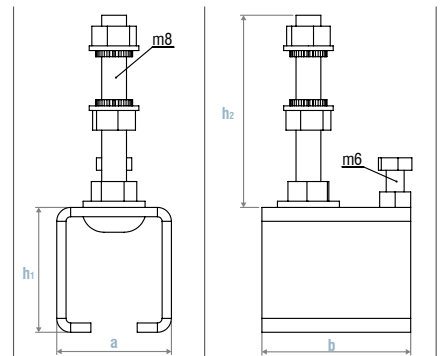
Product Code	Material	Weight (kg/m)	Dimensions (mm)				
			a	b ₁	b ₂	h ₁	h ₂
VS1009S2S	Steel (galvanised)	0,09	48	44	27	25	36



Support Bracket (with with mounting bolt)
VS1030A2



Product Code	Material	Weight (kg)	Dimensions (mm)			
			a	b	h ₁	h ₂
VS1030A2	Steel (galvanised)	0,21	37	48	40	117

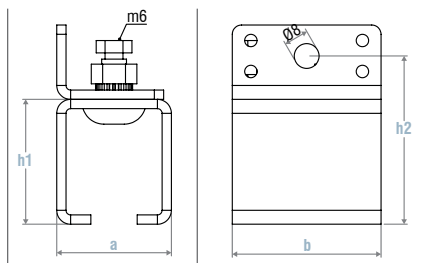


Support Bracket (with wall mounting plate)

VS1030A4S



Product Code	Material	Weight (kg)	Dimensions (mm)			
			a	b	h ₁	h ₂
VS1030A4S	Steel (galvanised)	0,21	37	48	59	56

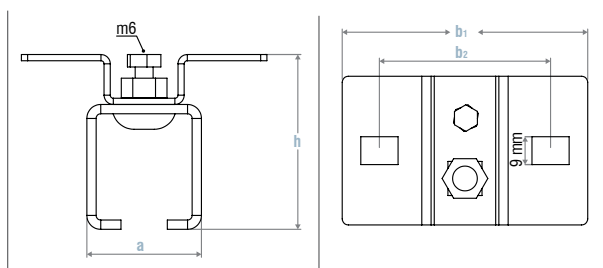


Support Bracket (with ceiling mounting plate)

VS1030A6S



Product Code	Material	Weight (kg)	Dimensions (mm)			
			a ₁	b ₁	b ₂	h
VS1030A6S	Steel (galvanised)	0,23	37	80	55	58

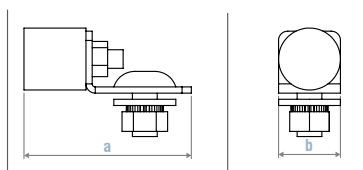


End Stop (with rubber buffer)

VS1030L4



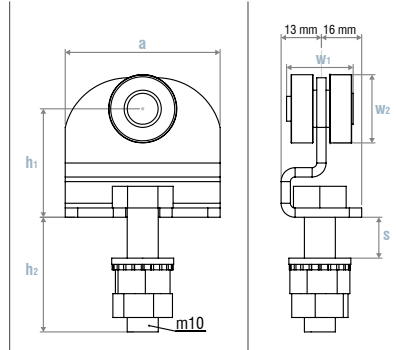
Product Code	Material	Weight (kg)	Dimensions (mm)	
			a	b
VS1030L4	Steel (galvanised)	0,05	54	20



Trolley (2W)(with mounting bolt)
VS1030T2B



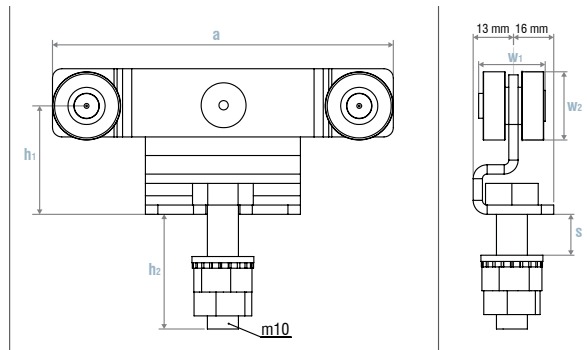
Product Code	Material	Weight (kg/m)	Dimensions (mm)					
			a	h ₁	h ₂	s	w ₁	w ₂
VS1030T2B	Steel (galvanised)	0,16	50	35	37	16	21	22



Trolley (4W)(with mounting bolt)
VS1030T4B



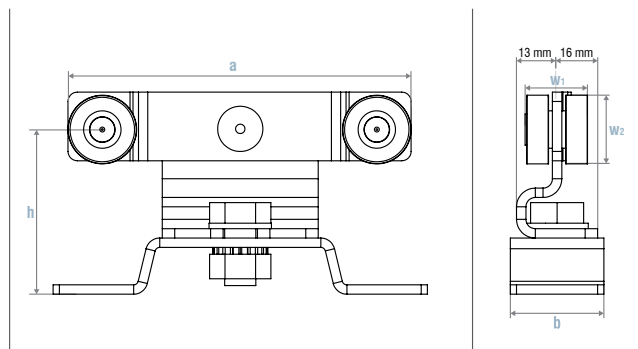
Product Code	Material	Weight (kg/m)	Dimensions (mm)					
			a	h ₁	h ₂	s	w ₁	w ₂
VS1030T4B	Steel (galvanised)	0,20	110	35	37	16	21	22



Trolley (4W)(with mounting plate)
VS1030T4P



Product Code	Material	Weight (kg/m)	Dimensions (mm)				
			a	h	b	w ₁	w ₂
VS1030T4P	Steel (galvanised)	0,29	110	53	30	21	22

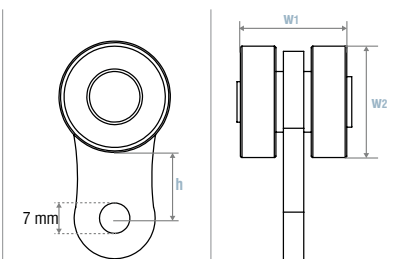


Suspension Trolley (2W)

VS1030S2



Product Code	Material	Weight (kg/m)	Dimensions (mm)		
			h	w ₁	w ₂
VS1030S2	Steel (galvanised)	0,05	13	21	22

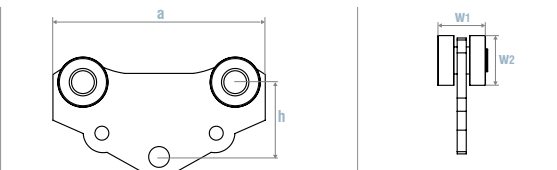


Suspension Trolley (4W)

VS1030S4



Product Code	Material	Weight (kg/m)	Dimensions (mm)			
			a	h	w ₁	w ₂
VS1030S4	Steel (galvanised)	0,16	93	69	21	22

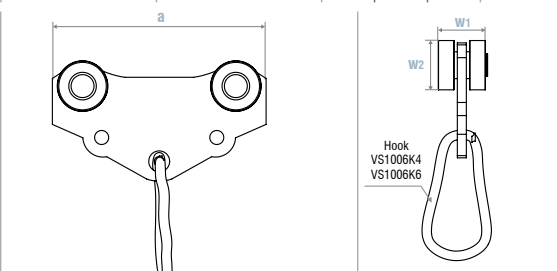


Suspension Trolley (4W) with hook

VS1030S4-K4/VS1030S4-K6



Product Code	Material	Dimensions (mm)		
		a	w ₁	w ₂
VS1030S4-K4	Steel (galvanised)	93	21	22
VS1030S4-K6	Steel (galvanised)	93	21	22

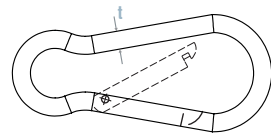


Hook

VS1006K4 / VS1006K6



Product Code	Material	Dimensions (mm)
		t
VS1006K4	Steel (galvanised)	4
VS1006K6	Steel (galvanised)	6



Vasel Energy and Data Transfer Systems

Vasel energy and data transfer systems work effectively and efficiently with long maintenance periods in all of the systems where the flat or round cables are used for power and data transmissions.

Areas of Usage:

- Coating plants,
- High capacity stowing systems,
- Travelling bridge cranes,
- Portal cranes,
- Automated and integrated manufacturing systems in different industrial production plants like Automotive, Textile, etc.
- Gantry cranes in shipyards and loading / unloading in sea ports,
- Specially designed stowing and loading machines,
- Mining and construction sectors facility applications,
- Hydraulic and pneumatic application systems that requires mobile control.



E Enclosed
Conductor
Rail
Systems
VS3014 Series



C C-Rail
Festoon
Systems
VS1028 / VS1032
VS1040 Series



I I-Beam
Festoon
Systems
VS2005 / VS2010
VS2015 / VS2020
VS2030 / VS2050
VS2060 / VS2070
Series



W Wire Rope
Festoon
Systems



S Square Rail
Festoon
Systems
VS1630 / VS1640
Series



S Sliding
Door
Systems
VS1030 Series

vasel[®]
Electromechanic

Vasel Elektromekanik San. Tic. Ltd. Şti.

Büsan 4 OSB Fevzi Çakmak Mh.
Milenyum Cd. 28/F P.B.: 42050
Karatay / KONYA / TÜRKİYE

Tel +90 332 235 35 10
Fas +90 332 235 35 68
E-Posta info@vasel.com.tr

www.vasel.com.tr

